

PUSH FOR PROFIT

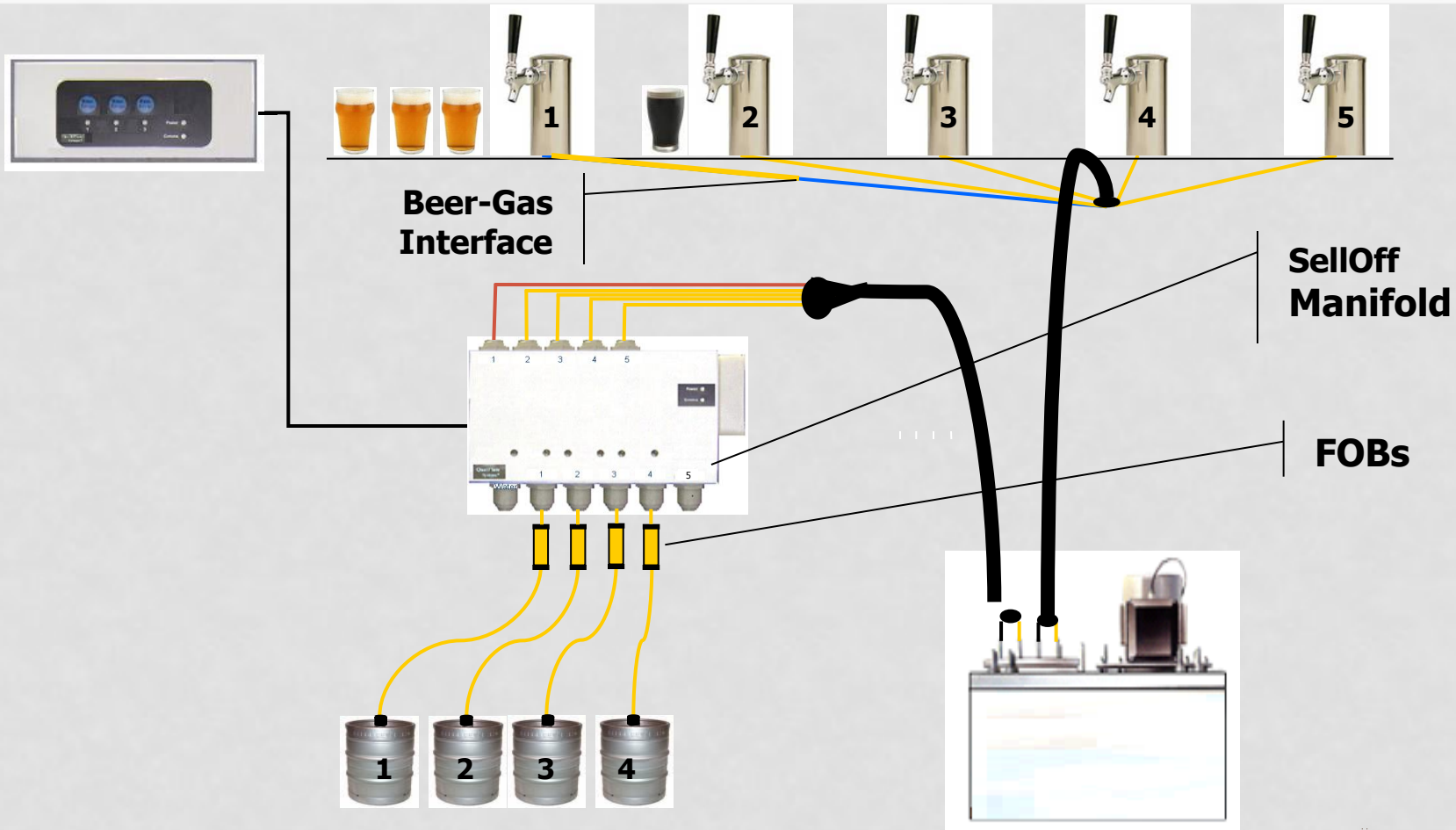
Automated Beer Sell Off System
Turns your Line Cleaning Wastage
into Beer Sales



From as little as
£66.00/Tap



PUSH FOR PROFIT - HOW IT WORKS



PUSH FOR PROFIT

- ❑ Selector Located in Bar
 - Staff select products to activate system



PUSH FOR PROFIT

- ❑ **Manifold Located in Cellar after fob**
 - Selected line switches to gas
 - Beer line automatically closes
 - Once activated gas pushes beer in lines
 - Gas feed valve is opened beer is pushed through the line



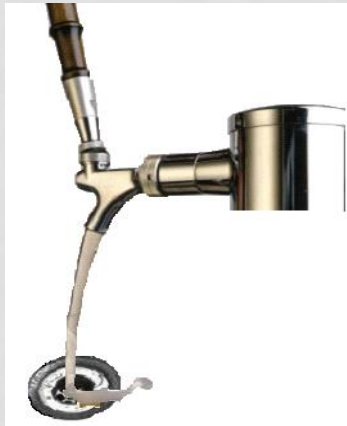
PUSH FOR PROFIT

- Retrofits into existing lines
- Improve Sales
- Improve Margin
- Maintain or increase Quality of Beer
- Rapid ROI for outlets with Python + Cooler + Feed lines over 50 metres
- Ease of Use - Digital, Automated Controls
- From as little as £66.00 per Tap



PUSH FOR PROFIT -

SIGNIFICANT ANNUAL SAVINGS EVEN IN SMALL OUTLETS



**Waste
4900 Pints
& Loose
-£3,600**

or



**SELL
3500 Pints
£9,800**

Assumptions

- 4 pints per line
- 24 Taps
- Average cost of pint £0.74
- 52 cleaning sessions per year
- Sell price – £2.80/pint

BENEFIT £13,400

